

# CURRENT TRANSFORMER

Model 778

Window Diameter 6.5"

**Application:**  
Relaying and metering

**Frequency:**  
50 - 400 Hz

**Insulation Level:**  
600 Volts, 10 kv BIL full wave

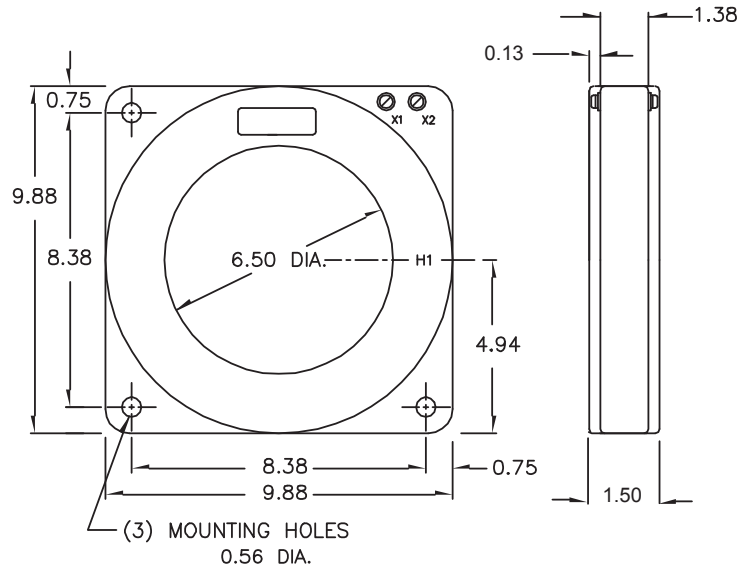
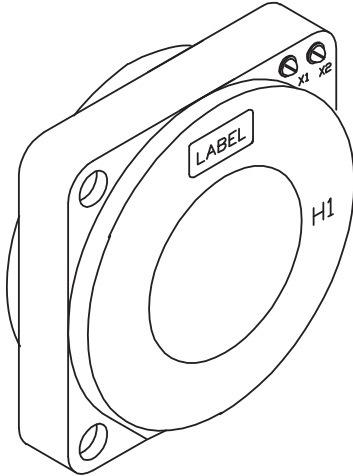
**Continuous Thermal Current Rating Factor:**  
1.33 at 30°C amb., 1.0 at 55°C amb.

- Secondary terminals are No. 10 - 32 brass screws with one flatwasher, lockwasher and regular nut.

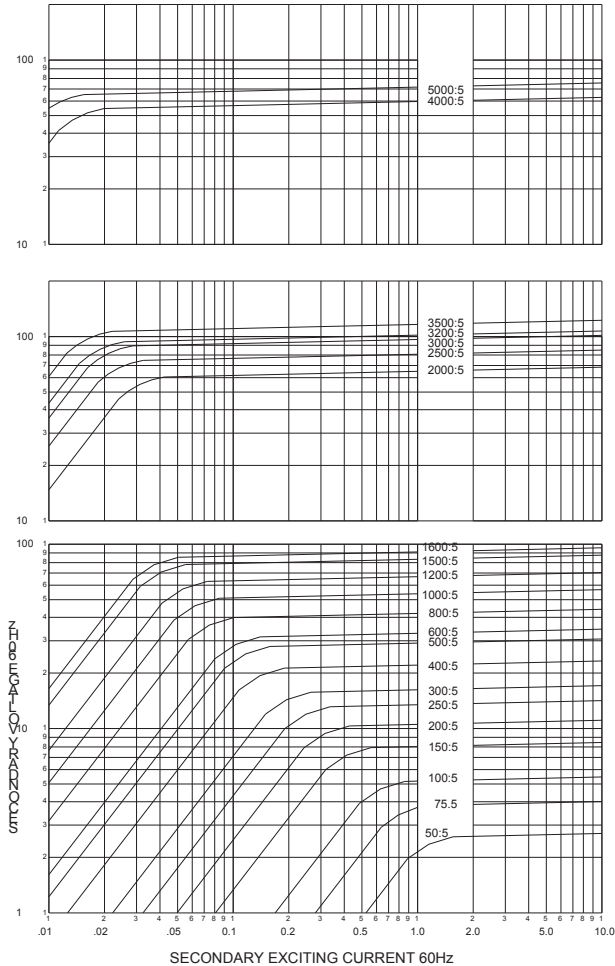
- Approximate weight: 15 lbs.



E228202



Excitation Curve



CATALOG NUMBER	CURRENT RATIO	RELAY CLASS	ANSI METERING CLASS AT 60 Hz					SECONDARY WINDING RESISTANCE (OHMS @ 75°C.)
			B0.1	B0.2	B0.5	B0.9	B1.8	
778-500	50:5	-	-	-	-	-	-	0.010
778-750	75:5	-	4.8	-	-	-	-	0.016
778-101	100:5	-	1.2	4.8	-	-	-	0.021
778-151	150:5	-	0.6	1.2	4.8	-	-	0.032
778-201	200:5	C10	0.3	0.6	2.4	4.8	-	0.043
778-251	250:5	C10	0.3	0.6	1.2	2.4	-	0.053
778-301	300:5	C10	0.3	0.3	1.2	2.4	4.8	0.064
778-401	400:5	C20	0.3	0.3	0.6	1.2	2.4	0.086
778-501	500:5	C20	0.3	0.3	0.3	0.6	1.2	0.107
778-601	600:5	C20	0.3	0.3	0.3	0.3	1.2	0.128
778-801	800:5	C20	0.3	0.3	0.3	0.3	0.6	0.171
778-102	1000:5	C50	0.3	0.3	0.3	0.3	0.3	0.214
778-122	1200:5	C50	0.3	0.3	0.3	0.3	0.3	0.263
778-152	1500:5	C100	0.3	0.3	0.3	0.3	0.3	0.328
778-162	1600:5	C100	0.3	0.3	0.3	0.3	0.3	0.350
778-202	2000:5	C50	0.3	0.3	0.3	0.3	0.3	0.473
778-252	2500:5	C50	0.3	0.3	0.3	0.3	0.3	0.592
778-302	3000:5	C100	0.3	0.3	0.3	0.3	0.3	0.710
778-322	3200:5	C100	0.3	0.3	0.3	0.3	0.3	0.757
778-352	3500:5	C100	0.3	0.3	0.3	0.3	0.3	0.828
778-402	4000:5	C20	0.3	0.3	0.3	0.3	0.3	0.719
778-502	5000:5	C20	0.3	0.3	0.3	0.3	0.3	0.898