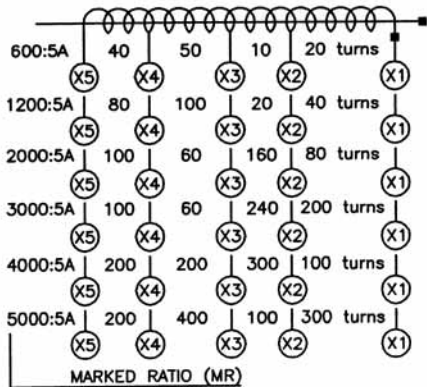
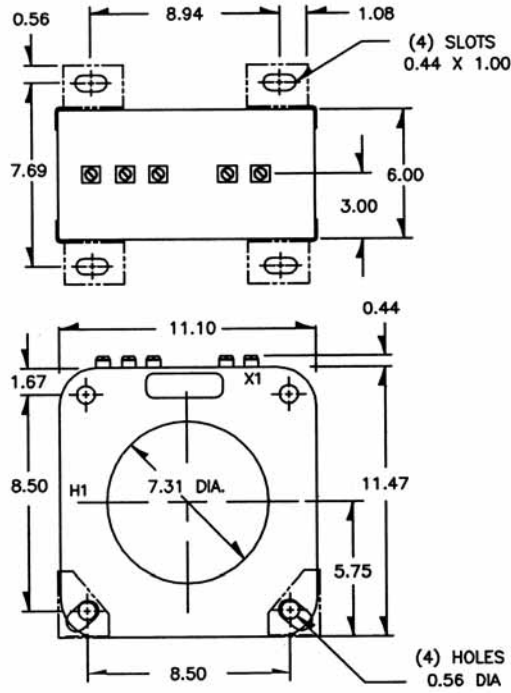
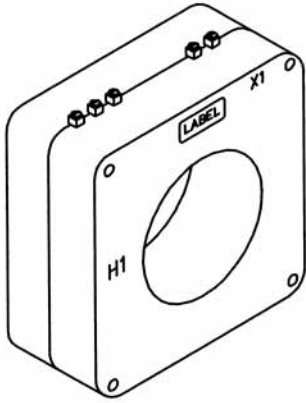


Model 143MR

Window Diameter 7.13"



Application:
Relaying

Frequency:
50 - 400Hz:

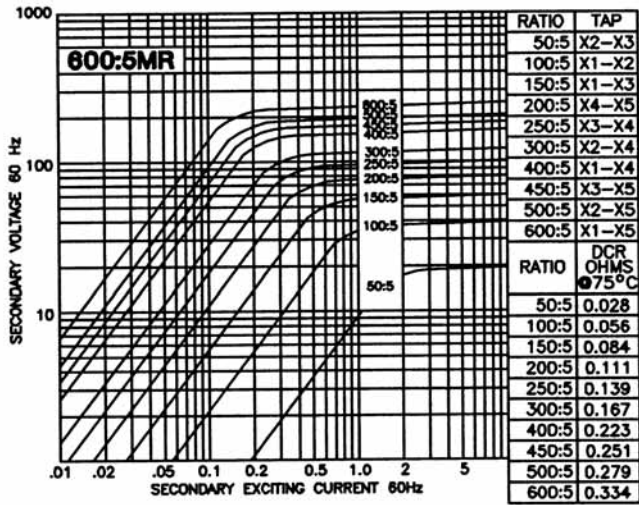
Insulation Level:
600 Volts, 10kV BIL full wave

Continuous Thermal Current Rating Factor:
See TRF at curve

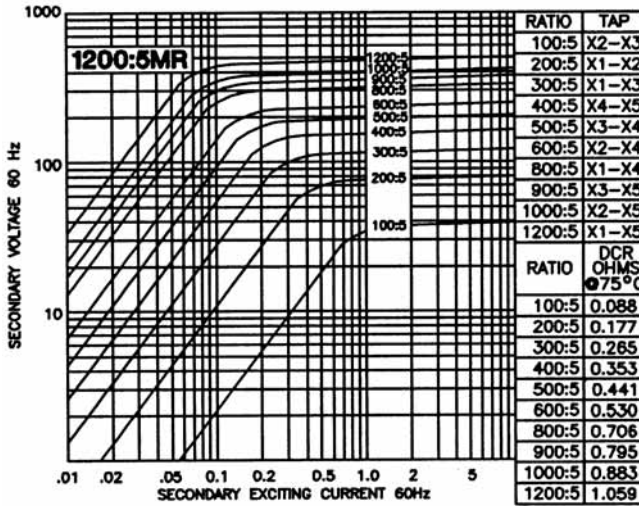
- Terminals are brass studs No. 10 - 32 with one flat washer, lockwasher and regular nut
- The transformer winding is arranged so that the turns are fully distributed between all taps
- Order mounting bracket kit separately
- Approximate weight: 60 lbs

Approvals

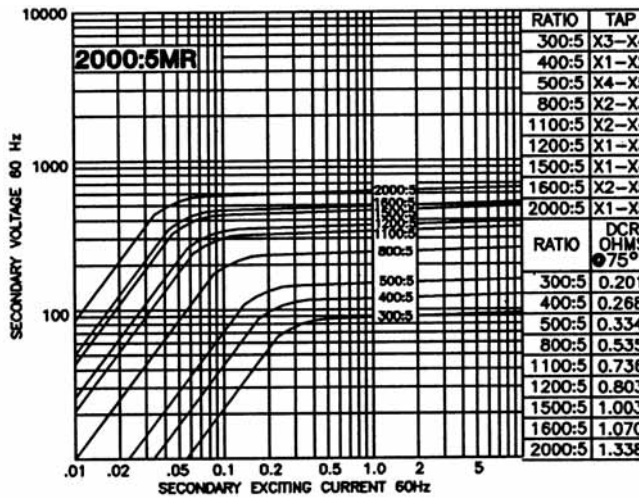




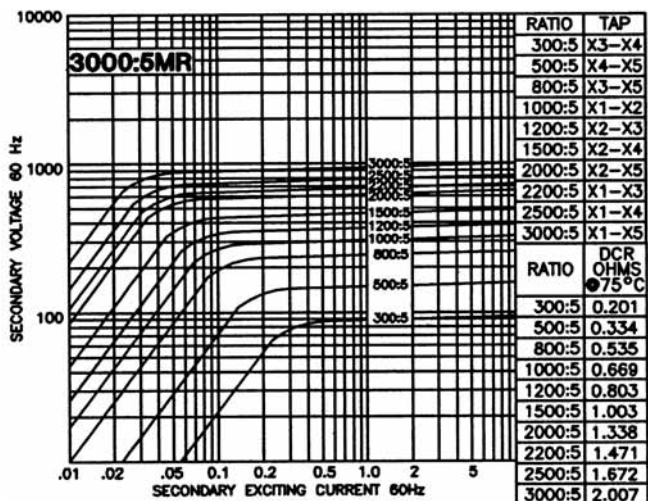
Model 143-601MR - rating C200
 TRF= 2.0 @ 30°C, 1.5 @ 55°C amb.



Model 143-122MR - rating C400
 TRF= 1.5 @ 30°C, 1.0 @ 55°C amb.

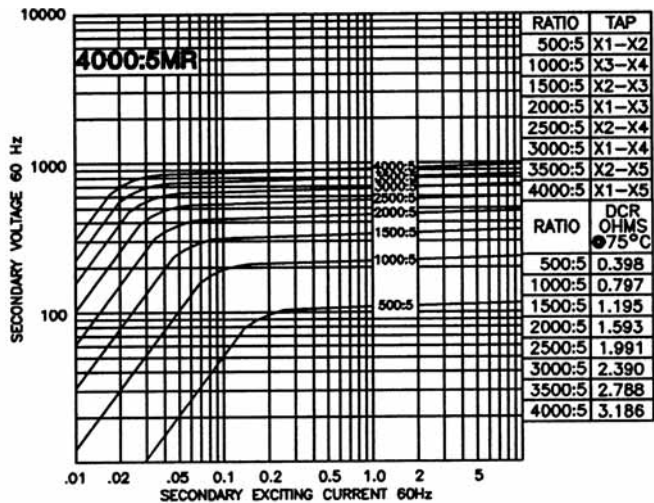


Model 143-202MR - rating C400
 TRF= 1.33 @ 30°C, 1.0 @ 55°C amb.



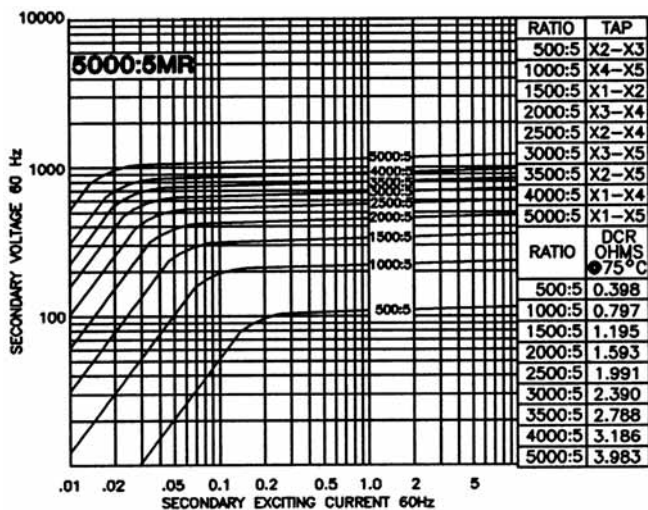
Model 143-302MR - rating C800

TRF= 1.0 @ 30°C, 0.8 @ 55°C amb.



Model 143-402MR - rating C800

TRF= 1.0 @ 30°C, 0.6 @ 55°C amb.



Model 143-502MR - rating C800

TRF= 1.0 @ 30°C, 0.6 @ 55°C amb.