

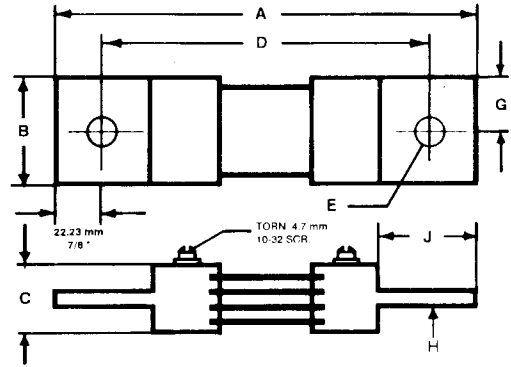
DC AMMETER SHUNTS



DERIVADORES DE CORRIENTE (SHUNTS)

50mV MODEL / 300 THROUGH 1000 AMPERES / TYPE FQ 300 a 1000 AMPERES

CATALOG No. No. CATALOGO	AMP	A		B		C		D		E		G		J	
		mm	in	mm	in	mm	in	mm	in	mm	in	mm	in	mm	in
FQ-300-50	300	177.8	7	31.75	1 1/4	25.4	1	133.35	5 1/4	13.49	17/32	15.88	5/8	44.45	1 3/4
FQ-400-50	400	177.8	7	31.75	1 1/4	25.4	1	133.35	5 1/4	13.49	17/32	15.88	5/8	44.45	1 3/4
FQ-500-50	500	177.8	7	31.75	1 1/4	25.4	1	133.35	5 1/4	13.49	17/32	15.88	5/8	44.45	1 3/4
FQ-600-50	600	177.8	7	38.1	1 1/2	25.4	1	133.35	5 1/4	13.49	17/32	19.05	3/4	44.45	1 3/4
FQ-750-50	750	177.8	7	50.8	2	25.4	1	133.35	5 1/4	16.67	21/32	25.4	1	44.45	1 3/4
FQ-800-50	800	177.8	7	50.8	2	25.4	1	133.35	5 1/4	16.67	21/32	25.4	1	44.45	1 3/4
FQ-1000-50	1000	177.8	7	63.5	2 1/2	25.4	1	133.35	5 1/4	16.67	21/32	31.75	1 1/4	44.45	1 3/4



100mV MODEL / 120 THROUGH 500 AMPERES / TYPE FQ 120 a 500 AMPERES

CATALOG No. No. CATALOGO	AMP	A		B		C		D		E		G		J	
		mm	in	mm	in	mm	in	mm	in	mm	in	mm	in	mm	in
FQ-120-100	120	209.6	8 1/4	31.75	1 1/4	25.4	1	165.1	6 1/2	13.49	17/32	15.88	5/8	47.6	1 7/8
FQ-130-100	130	209.6	8 1/4	31.75	1 1/4	25.4	1	165.1	6 1/2	13.49	17/32	15.88	5/8	47.6	1 7/8
FQ-150-100	150	209.6	8 1/4	38.1	1 1/2	25.4	1	165.1	6 1/2	13.49	17/32	19.05	3/4	47.6	1 7/8
FQ-200-100	200	209.6	8 1/4	38.1	1 1/2	25.4	1	165.1	6 1/2	13.49	17/32	19.05	3/4	47.6	1 7/8
FQ-250-100	250	209.6	8 1/4	50.8	2	25.4	1	185.1	6 1/2	13.49	17/32	25.4	1	47.6	1 7/8
FQ-300-100	300	209.6	8 1/4	50.8	2	25.4	1	165.1	6 1/2	13.49	17/32	25.4	1	47.6	1 7/8
FQ-400-100	400	209.6	8 1/4	50.8	2	25.4	1	165.1	6 1/2	13.49	17/32	25.4	1	47.6	1 7/8
FQ-500-100	500	209.6	8 1/4	63.5	2 1/2	25.4	1	165.1	6 1/2	13.49	17/32	31.75	1 1/4	47.6	1 7/8

H One copper blade at each end
6.35 mm (1/4") thick.
H Un disparador de cobre en cada cuerpo.
6.35 mm (1/4") de espesor.

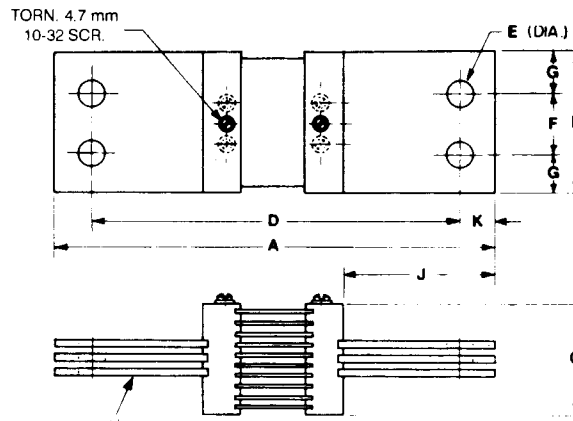
50 mV MODEL / 1000 THROUGH 10,000 AMPERES / TYPE FR 1000 A 10,000 AMPERES / 50 mV MODELO

CATALOG No. No. CATALOGO	AMP	A		B		C		D		E		F		G		H	J		K	
		mm	in	mm	in	mm	in	mm	in	mm	in	mm	in	mm	in		mm	in	mm	in
FR-1000-50	1000	230.19	9 1/16	76.2	3	38.1	1 1/2	189.71	7 15/32	13.49	17/32	38.1	1 1/2	19.05	3/4	2	66.68	2 5/8	20.24	5/16
FR-1200-50	1200	230.19	9 1/16	76.2	3	38.1	1 1/2	189.71	7 15/32	13.49	17/32	38.1	1 1/2	19.05	3/4	2	66.68	2 5/8	20.24	5/16
FR-1500-50	1500	230.19	9 1/16	76.2	3	50.8	2	189.71	7 15/32	13.49	17/32	38.1	1 1/2	19.05	3/4	3	66.68	2 5/8	20.24	5/16
FR-2000-50	2000	230.19	9 1/16	101.6	4	50.8	2	189.71	7 15/32	13.49	17/32	50.8	2	25.4	1	3	66.68	2 5/8	20.24	5/16
FR-2500-50	2500	396.88	15 5/8	101.6	4	76.2	3	301.23	11 55/64	16.67	21/32	50.8	2	25.4	1	3	139.7	5 1/2	47.63	1 7/8
FR-3000-50	3000	396.88	15 5/8	101.6	4	76.2	3	301.23	11 55/64	16.67	21/32	50.8	2	25.4	1	4	139.7	5 1/2	47.63	1 7/8
FR-4000-50	4000	396.88	15 5/8	127	5	76.2	3	301.23	11 55/64	20.64	13/16	50.8	2	38.1	1 1/2	4	139.7	5 1/2	47.63	1 7/8
FR-5000-50	5000	396.88	15 5/8	127	5	101.6	4	301.23	11 55/64	20.64	13/16	50.8	2	38.1	1 1/2	5	139.7	5 1/2	47.63	1 7/8
FR-6000-50	6000	396.88	15 5/8	152.4	6	101.6	4	313.93	12 23/64	20.64	13/16	69.85	2 3/4	41.28	1 5/8	5	139.7	5 1/2	41.67	1 41/64
FR-7500-50	7500	396.88	15 5/8	152.4	6	101.6	4	313.93	12 23/64	20.64	13/16	69.85	2 3/4	41.28	1 5/8	6	139.7	5 1/2	41.67	1 41/64
FR-8000-50	8000	396.88	15 5/8	152.4	6	101.6	4	313.93	12 23/64	20.64	13/16	69.85	2 3/4	41.28	1 5/8	6	139.7	5 1/2	41.67	1 41/64
FR-10,000-50	10,000	402.83	15 55/64	203.2	8	101.6	4	326.63	12 55/64	26.99	11/16	88.9	3 1/2	57.15	2 1/4	6	140.49	5 17/32	38.1	1 1/2

100 mV MODEL / 600 THROUGH 6000 AMPERES / TYPE FR 600 A 6000 AMPERES / 50 mV MODELO

CATALOG No. No. CATALOGO	AMP	A		B		C		D		E		F		G		H	J		K	
		mm	in	mm	in	mm	in	mm	in	mm	in	mm	in	mm	in		mm	in	mm	in
FR-600-100	600	304.8	12	76.2	3	38.1	1 1/2	266.7	10 1/2	13.49	17/32	38.1	1 1/2	19.05	3/4	2	66.68	2 5/8	19.05	3/4
FR-750-100	750	304.8	12	76.2	3	38.1	1 1/2	266.7	10 1/2	13.49	17/32	38.1	1 1/2	19.05	3/4	2	66.68	2 5/8	19.05	3/4
FR-800-100	800	304.8	12	76.2	3	38.1	1 1/2	266.7	10 1/2	13.49	17/32	38.1	1 1/2	19.05	3/4	2	66.68	2 5/8	19.05	3/4
FR-1000-100	1000	304.8	12	76.2	3	50.8	2	266.7	10 1/2	13.49	17/32	38.1	1 1/2	19.05	3/4	3	66.68	2 5/8	19.05	3/4
FR-1200-100	1200	304.8	12	101.6	4	50.8	2	266.7	10 1/2	13.49	17/32	50.8	2	25.4	1	3	66.68	2 5/8	19.05	3/4
FR-1500-100	1500	469.9	18 1/2	101.6	4	76.2	3	381	15	16.67	21/32	50.8	2	25.4	1	3	134.14	5 9/32	44.45	1 3/4
FR-2000-100	2000	469.9	18 1/2	101.6	4	76.2	3	381	15	16.67	21/32	50.8	2	25.4	1	3	134.14	5 9/32	44.45	1 3/4
FR-2500-100	2500	469.9	18 1/2	127	5	76.2	3	381	15	16.67	21/32	50.8	2	38.1	1 1/2	3	134.14	5 9/32	44.45	1 3/4
FR-3000-100	3000	469.9	18 1/2	127	5	101.6	4	381	15	16.67	21/32	50.8	2	38.1	1 1/2	4	134.14	5 9/32	44.45	1 3/4
FR-4000-100	4000	471.49	18 9/16	127	5	101.6	4	381	15	20.64	13/16	63.5	2 1/2	31.75	1 1/4	4	134.14	5 9/32	45.24	1 25/32
FR-5000-100	5000	471.49	18 9/16	127	5	101.6	4	381	15	20.64	13/16	63.5	2 1/2	31.75	1 1/4	5	134.14	5 9/32	45.24	1 25/32
FR-6000-100	6000	471.49	18 9/16	152.4	6	101.6	4	393.7	15 1/2	20.64	13/16	76.2	3	38.10	1 1/2	5	134.14	5 9/32	38.89	1 17/32

H Number of copper blades at each end.
6.35 mm (1/4") thick, 6.35 mm (1/4") Apart.
H Número de disparadores de cobre en cada cuerpo.
6.35 mm (1/4") de espesor, 6.35 mm (1/4") de separación.



Dimensions in mm (inches). Tolerances ± 0.381 mm (0.015 in) for hole diameters, other Tolerances ± 0.762 mm (0.030 in) unless otherwise noted. Dimensions are subject to change without notice.

Las dimensiones están en milímetros (pulgadas) con tolerancia ± 0.381 mm (0.015 in) para los diámetros de los barrenos, para las demás medidas 0.762 mm (0.030 in) a menos de que se especifique otra. Las dimensiones pueden variar sin previo aviso.